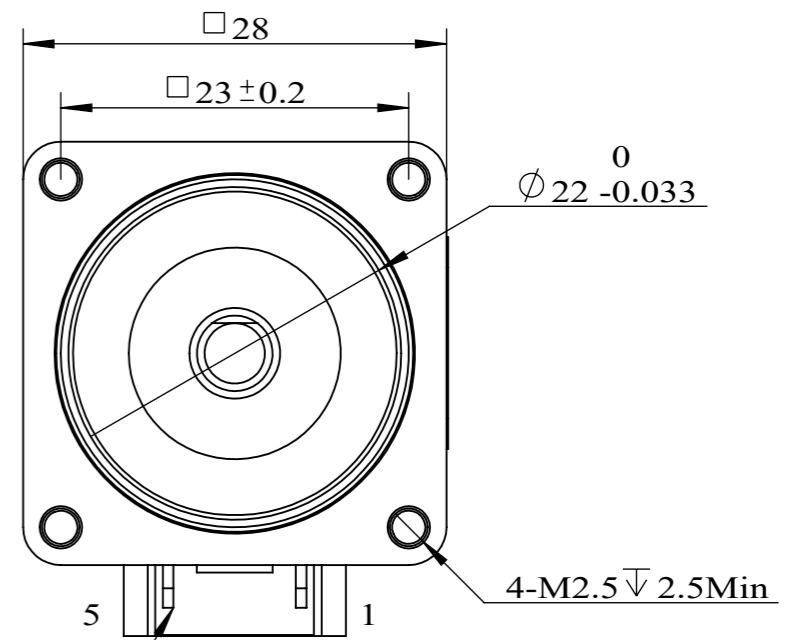
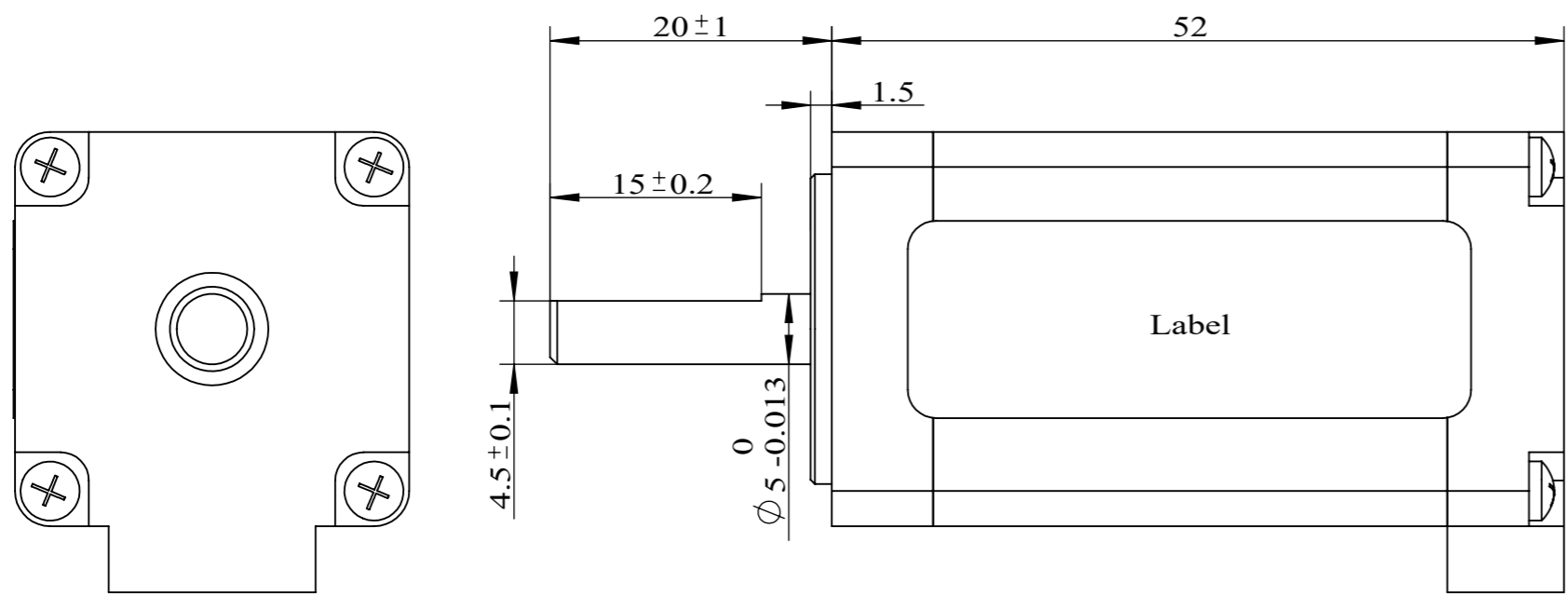
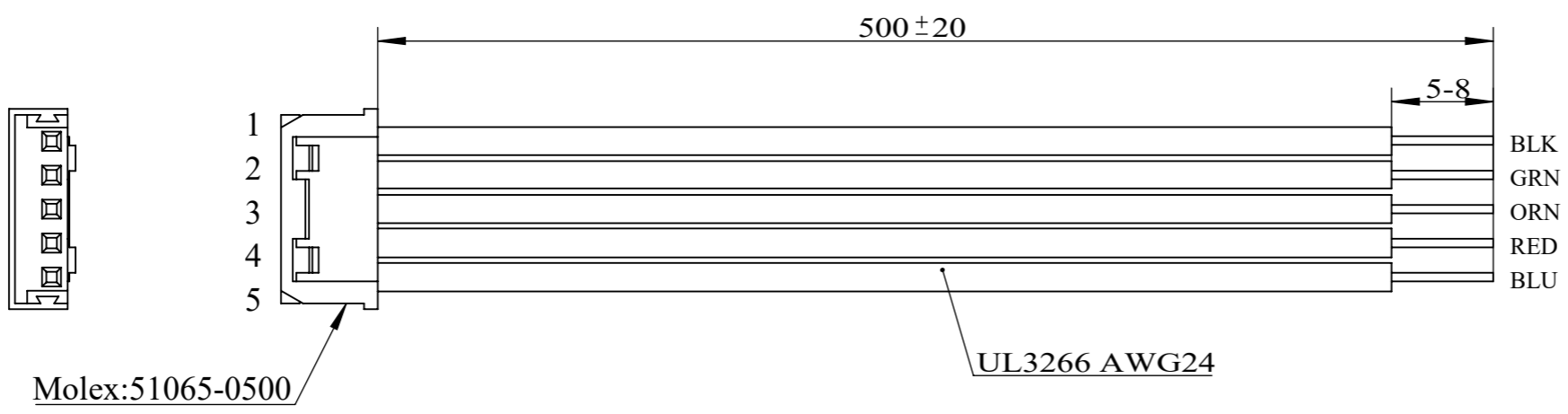


11H5052-120-5AT-003
 CE RoHS DINGS' MOTION
 DATE

REVISE			
REV.	DATE	DESCRIPTION	DRAWN BY



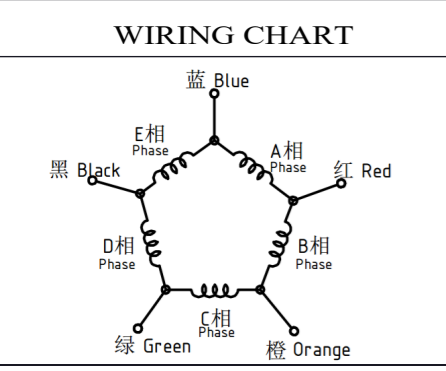
Molex:53253-0570



Motor's phase	5
Step angle(±5%)	0.72 °
Rated current/phase	1.2 A
Resistance/phase(20°C)	0.88 Ω±10%
Inductance/phase(1V,1kHz)	0.45 mH±20%
Holding torque	0.09 N.m
Rotary inertia	18 g.cm ²
Insulation class	B
Insulation resistance	100MΩ(500VDC)
Heat rise	80°C
Motor weight	0.2 Kg

NOTICE TO PERSONS RECEIVING THIS DRAWING
 THIS DRAWING IS ONLY CONDITIONALLY ISSUED, AND FOR THE SOLE PURPOSE OF INFORMING LICENSEES AND ASSOCIATE CONTRACTORS OF DINGS' MOTION, AND VENDORS THERE TO AND CUSTOMERS THEREOF, RECEIPT OR POCESSION THEREOF DOES NOT CONFER TO TRANSFER ANY RIGHT IN THE SUBJECT MATTER OF THE DRAWING. THE DESIGN, CONSTRUCTION, TECHNICAL INFORMATION AND ALL OTHER SUBJECT MATTER SHOWN AND ASSOCIATE CONTRACTORS OF SAID CORPORATION AND ONLY FOR LICENSED MANUFACTURE, AND BY VENDORS MANUFACTURING FOR SAID CORPORATION AND ONLY FOR LICENSEES AND ASSOCIATE CONTRACTORS.

CUSTOMER



EXCITATION SEQUENCE	
CCW	→
1 A	+
2 B	+
3 C	+
4 D	+
5 E	+
CW	←

UNLESS OTHERWISE SPECIFIED ALL DIMENSIONS ARE IN MILLIMETERS AND TOLERANCES ARE AS BELOW PER ISO2768-cK.

LINEAR		ANGULAR	
0~3	±0.2	0~10	±15°
3~6	±0.5	10~50	±30°
6~30	±0.8	50~120	±1°
30~120	±1.5	120~400	±1.5°

DRAWN	Di	DATE	2025/4/14
APPRVD		DATE	
MODEL	11H5052-120-5AT-003		

DINGS'

SIZE	A3	SHEET	1 OF 1
SCALE	1 : 1	REV	00