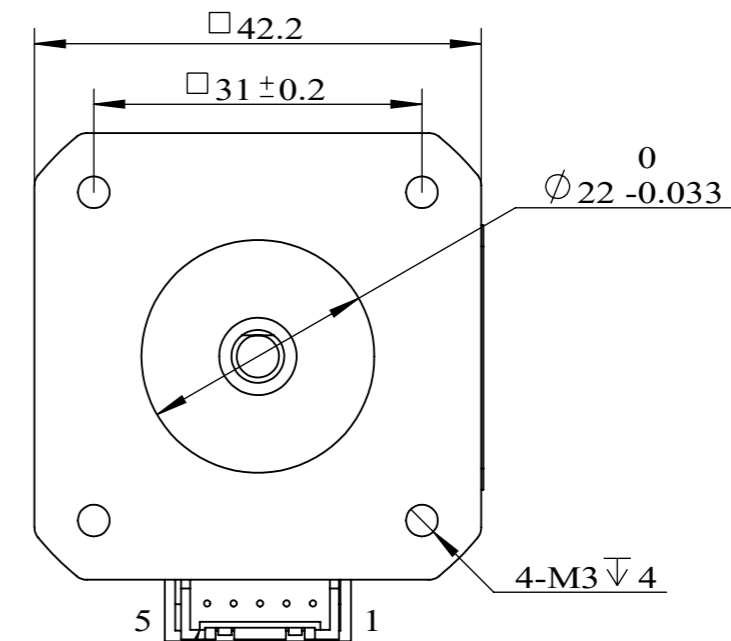
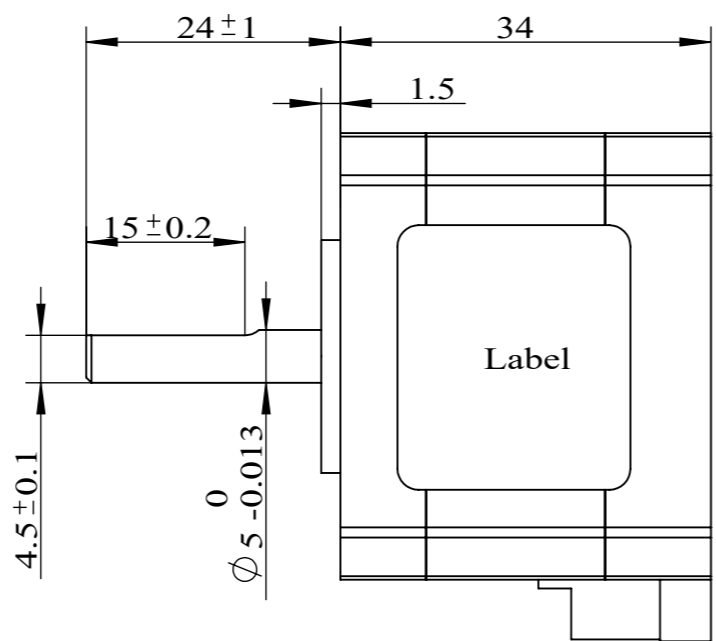
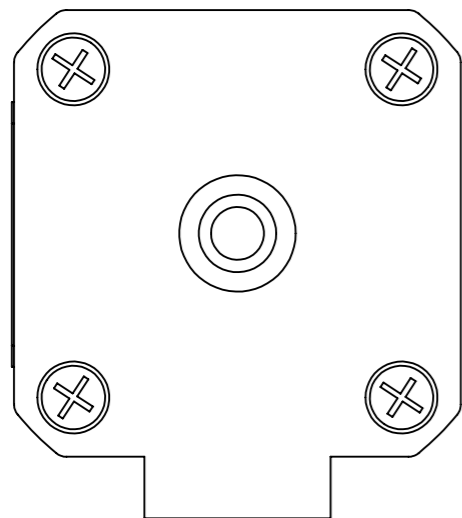
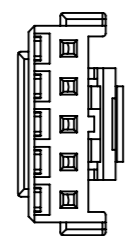


REVISE			
REV.	DATE	DESCRIPTION	DRAWN BY

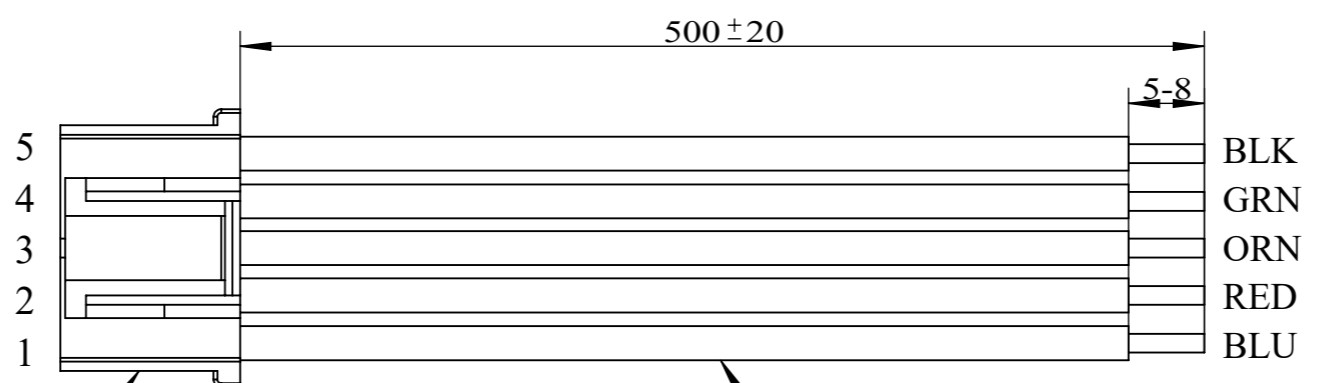
17H5034-180-5AT-002  
 CE RoHS DINGS' MOTION  
 DATE



Molex:53375-0510



Molex:51103-0500

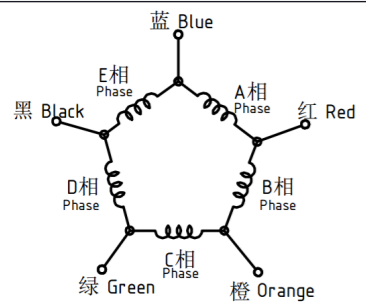


UL3265 AWG22

Motor's phase	5
Step angle(±5%)	0.72 °
Rated current/phase	1.8 A
Resistance/phase(20°C)	0.34 Ω±10%
Inductance/phase(1V,1kHz)	0.35 mH±20%
Holding torque	0.22 N.m
Rotary inertia	35 g.cm <sup>2</sup>
Insulation class	B
Insulation resistance	100MΩ(500VDC)
Heat rise	80°C
Motor weight	0.24 Kg

CUSTOMER

WIRING CHART



EXCITATION SEQUENCE

CCW	→				
1 A	+				
2 B		+			
3 C			+		
4 D				+	
5 E					+
CW	←				

NOTICE TO PERSONS RECEIVING THIS DRAWING  
 THIS DRAWING IS ONLY CONDITIONALLY ISSUED, AND FOR THE SOLE PURPOSE OF INFORMING LICENSEES AND ASSOCIATE CONTRACTORS OF DINGS' MOTION, AND VENDORS THERE TO AND CUSTOMERS THEREOF, RECEIPT OR POSESSION THEREOF DOES NOT CONFER TO TRANSFER ANY RIGHT IN THE SUBJECT MATTER OF THE DRAWING. THE DESIGN, CONSTRUCTION, TECHNICAL INFORMATION AND ALL OTHER SUBJECT MATTER SHOWN AND ASSOCIATE CONTRACTORS OF SAID CORPORATION AND ONLY FOR LICENSED MANUFACTURE, AND BY VENDORS MANUFACTURING FOR SAID CORPORATION AND ONLY FOR LICENSEES AND ASSOCIATE CONTRACTORS.

UNLESS OTHERWISE SPECIFIED ALL DIMENSIONS ARE IN MILLIMETERS AND TOLERANCES ARE AS BELOW PER ISO2768-cK.

LINEAR		ANGULAR	
0~3	±0.2	0~10	±15°
3~6	±0.5	10~50	±30°
6~30	±0.8	50~120	±1°
30~120	±1.5	120~400	±1.5°

DRAWN	Di	DATE	2025/4/14
APPRVD		DATE	

MODEL	17H5034-180-5AT-002
-------	---------------------



SIZE	A3	SHEET	1 OF 1
SCALE	1 : 1	REV	00

