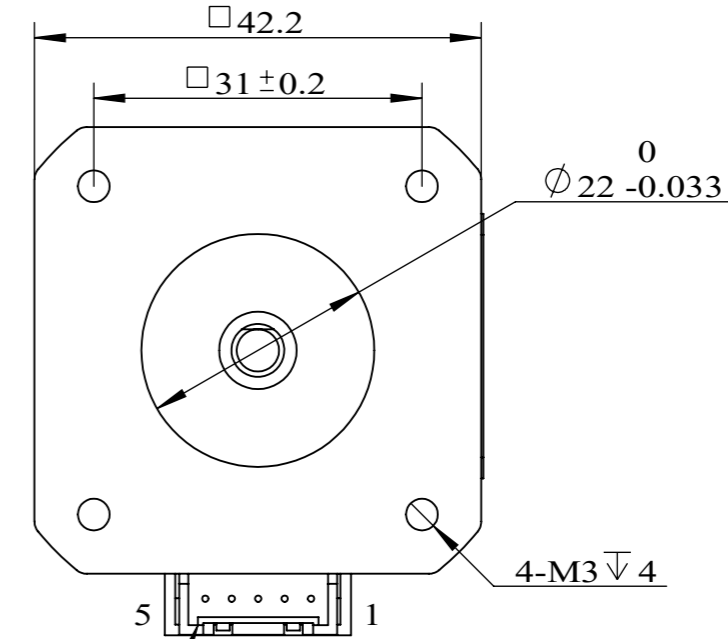
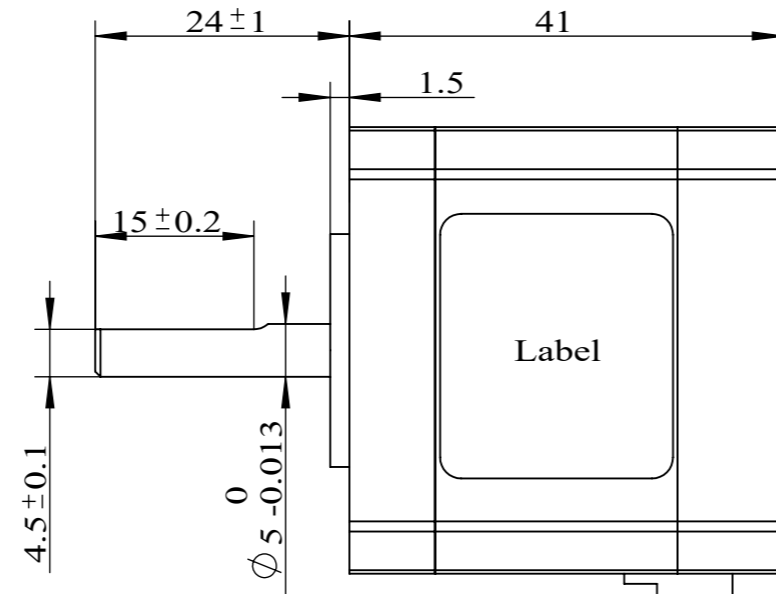
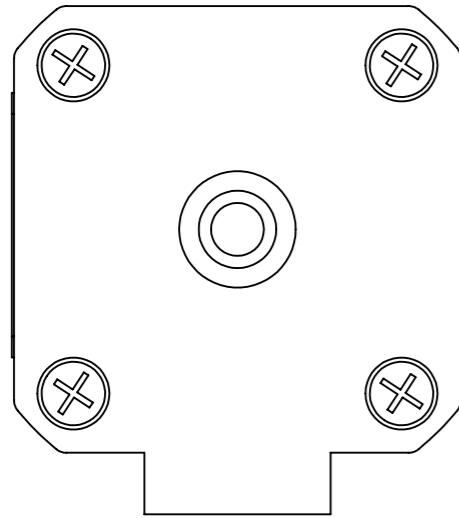


REVISE

REV.	DATE	DESCRIPTION	DRAWN BY
------	------	-------------	----------

17H5041-180-5AT-003

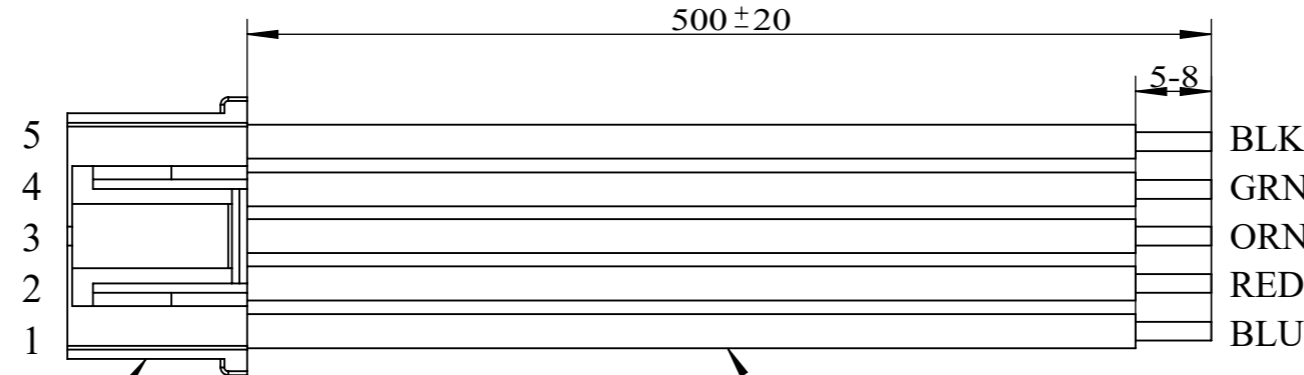
CE
RoHS
DINGS' MOTION
DATE



Molex:53375-0510



Molex:51103-0500

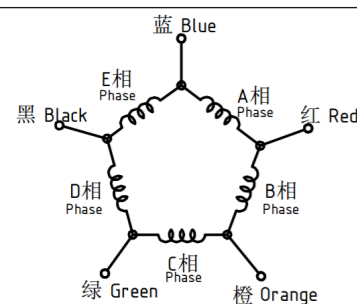


UL3265 AWG22

Motor's phase	5
Step angle(±5%)	0.72 °
Rated current/phase	1.8 A
Resistance/phase(20°C)	0.45 Ω±10%
Inductance/phase(1V,1kHz)	0.55 mH±20%
Holding torque	0.3 N.m
Rotary inertia	54 g.cm ²
Insulation class	B
Insulation resistance	100MΩ(500VDC)
Heat rise	80°C
Motor weight	0.3 Kg

CUSTOMER

WIRING CHART



EXCITATION SEQUENCE

CCW	→				
1 A	+				
2 B		+			
3 C			+		
4 D				+	
5 E					+
CW	←				

NOTICE TO PERSONS RECEIVING THIS DRAWING
THIS DRAWING IS ONLY CONDITIONALLY ISSUED, AND FOR THE SOLE PURPOSE OF INFORMING LICENSEES AND ASSOCIATE CONTRACTORS OF DINGS' MOTION, AND VENDORS THERETO AND CUSTOMERS THEREOF, RECEIPT OR POCESSION THEREOF DOES NOT CONFER TO TRANSFER ANY RIGHT IN THE SUBJECT MATTER OF THE DRAWING. THE DESIGN, CONSTRUCTION, TECHNICAL INFORMATION AND ALL OTHER SUBJECT MATTER SHOWN AND ASSOCIATE CONTRACTORS OF SAID CORPORATION AND ONLY FOR LICENSED MANUFACTURE, AND BY VENDORS MANUFACTURING FOR SAID CORPORATION AND ONLY FOR LICENSEES AND ASSOCIATECONTRACTORS.

UNLESS OTHERWISE SPECIFIED ALL DIMENSIONS ARE IN MILLIMETERS AND TOLERANCES ARE AS BELOW PER ISO2768-cK.

LINEAR		ANGULAR	
0~3	±0.2	0~10	±15°
3~6	±0.5	10~50	±30°
6~30	±0.8	50~120	±1°
30~120	±1.5	120~400	±1.5°

DRAWN	Di	DATE	2025/4/14
APPRVD		DATE	

MODEL	17H5041-180-5AT-003
-------	---------------------



SIZE	A3	SHEET	1 OF 1
SCALE	1 : 1	REV	00