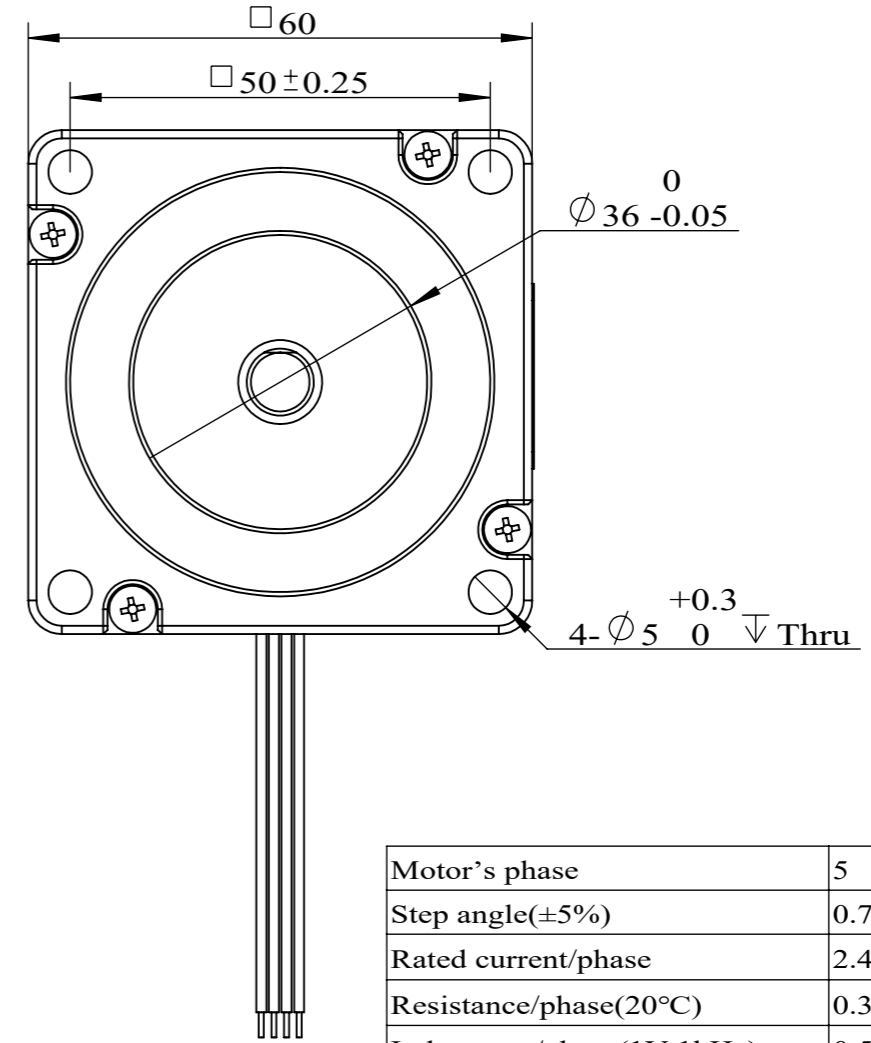
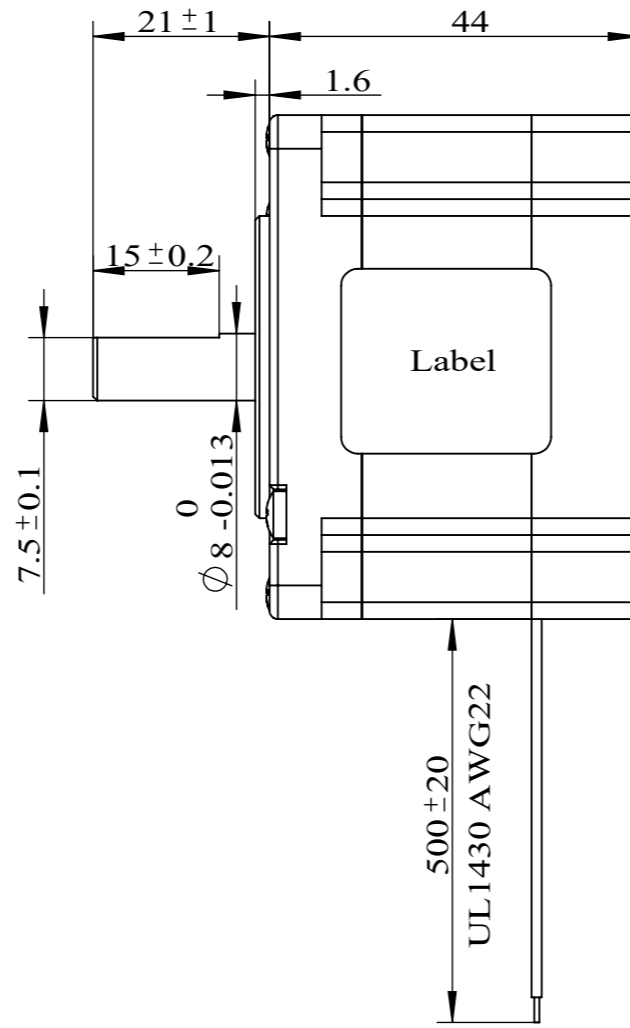
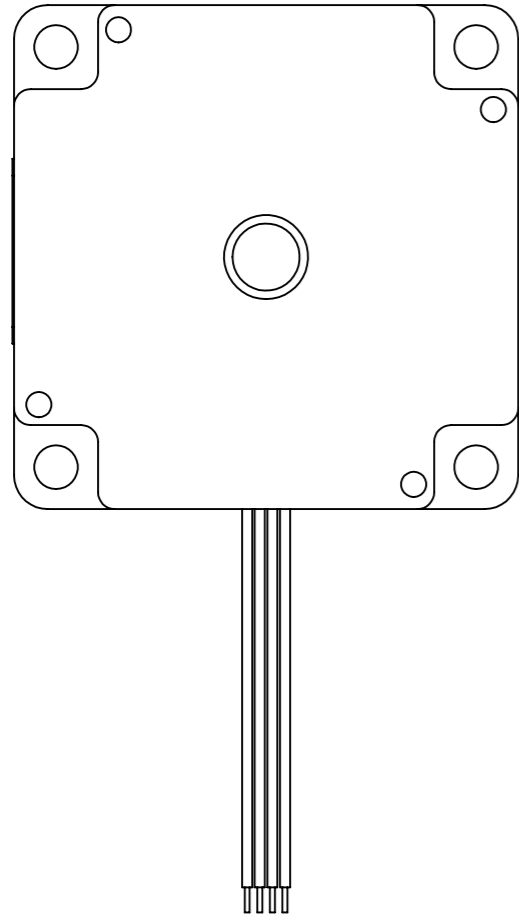


24H5044-240-5AL-004

CE
RoHS DINGS' MOTION
DATE

REVISE			
REV.	DATE	DESCRIPTION	DRAWN BY



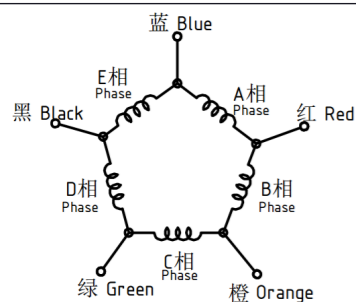
Motor's phase	5
Step angle(±5%)	0.72 °
Rated current/phase	2.4 A
Resistance/phase(20°C)	0.3 Ω±10%
Inductance/phase(1V,1kHz)	0.55 mH±20%
Holding torque	0.6 N.m
Rotary inertia	230 g.cm ²
Insulation class	B
Insulation resistance	100MΩ(500VDC)
Heat rise	80°C
Motor weight	0.55 Kg

CUSTOMER

NOTICE TO PERSONS RECEIVING THIS DRAWING
THIS DRAWING IS ONLY CONDITIONALLY ISSUED, AND FOR THE SOLE PURPOSE OF INFORMING LICENSEES AND ASSOCIATE CONTRACTORS OF DINGS' MOTION, AND VENDORS THERE TO AND CUSTOMERS THEREOF, RECEIPT OR POSSESSION THEREOF DOES NOT CONFER TO TRANSFER ANY RIGHT IN THE SUBJECT MATTER OF THE DRAWING. THE DESIGN, CONSTRUCTION, TECHNICAL INFORMATION AND ALL OTHER SUBJECT MATTER SHOWN AND ASSOCIATE CONTRACTORS OF SAID CORPORATION AND ONLY FOR LICENSED MANUFACTURE, AND BY VENDORS MANUFACTURING FOR SAID CORPORATION AND ONLY FOR LICENSEES AND ASSOCIATE CONTRACTORS.

WIRING CHART

EXCITATION SEQUENCE



CCW	→				
1 A BLK	+				
2 B GRN		+			
3 C ORN			+		
4 D RED				+	
5 E BLU					+
CW	←				

UNLESS OTHERWISE SPECIFIED ALL DIMENSIONS ARE IN MILLIMETERS AND TOLERANCES ARE AS BELOW PER ISO2768-cK.

LINEAR		ANGULAR	
0~3	±0.2	0~10	±15°
3~6	±0.5	10~50	±30°
6~30	±0.8	50~120	±1°
30~120	±1.5	120~400	±1.5°

DRAWN	Di	DATE	2025/4/14
APPRVD		DATE	



MODEL	24H5044-240-5AL-004
-------	---------------------

SIZE	A3	SHEET	1 OF 1
SCALE	1 : 1	REV	00

